

CAN
CAN/H
R27
R28
C42
C40

SCL
SDA
AREF
GND
13
12
11
10
9
8
7
6
5
4
3
2
TX->1
RX<-0

DIGITAL <PWM>

nRESET_FB

LISA-U2

SARA-G1



ANT_DIV

KL_MINI

GP-SANT

ETH

DAP

u-blox
www.u-blox.com
C027-C20/U20/G35

MAX-70



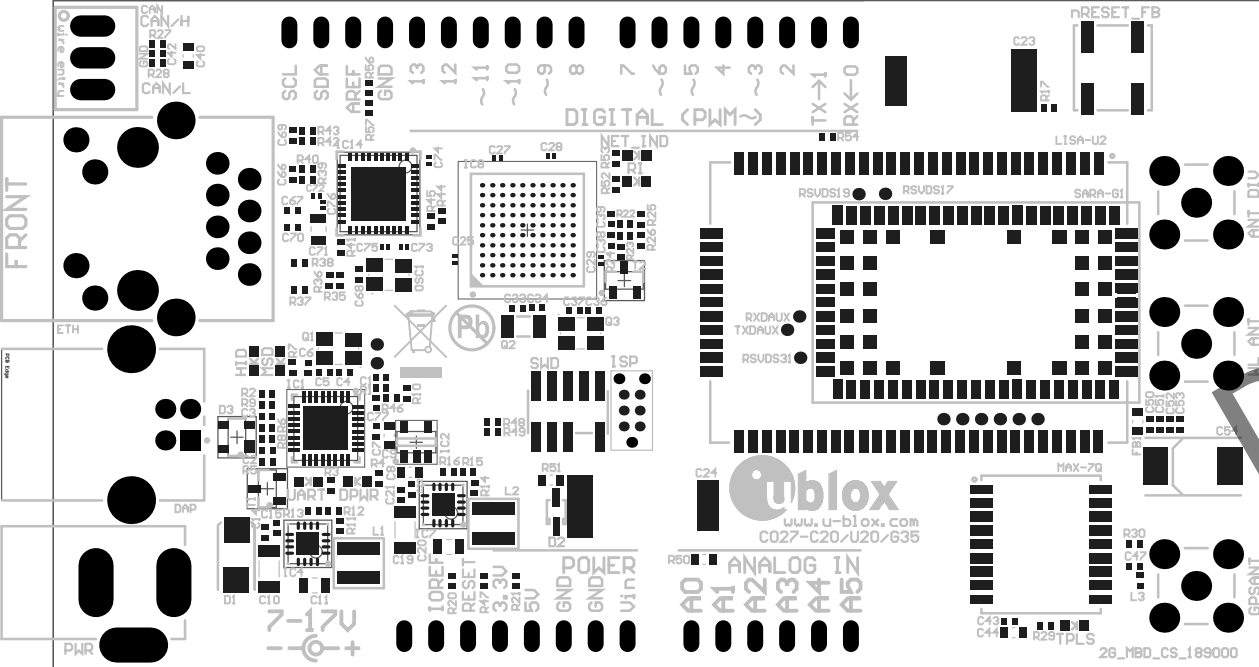
ANALOG IN
A0
A1
A2
A3
A4
A5

POWER
GND
GND
Vin

IOREF
RESET
3.3V
5V

7
-
17V
+
17U

26_MBD_CS_189000



Layer Stack Up Detail for: 2G_MBD_CS_189000.PcbDoc

Layer Name	Gerber Document	Copper Thickness	Dielectric Height	Dielectric Material	Dielectric Constant	Dielectric Type
Top Solder Mask	(.GTS)		0.0102mm	Solder Resist Blue	3.50	
Top Layer	(.GTL)	0.018mm				
Mid-Layer 1	(.G1)	0.035mm	0.281mm	FR-4	4.30	PrePreg
Mid-Layer 2	(.G2)	0.035mm	0.8mm	FR-4	4.30	Core
Bottom Layer	(.GBL)	0.018mm	0.281mm	FR-4	4.30	PrePreg
Bottom Solder Mask	(.GBS)		0.0102mm	Solder Resist Blue	3.50	

CAN:	
RD	P0_4
TD	P0_5
S	P0_6

ETHERNET:	
OSCEN	P1_27
RST	P1_28
LINK	P1_25
SPEED	P1_26

MBED JF:1	
USBTXD	P0_2
USBRXD	P0_3

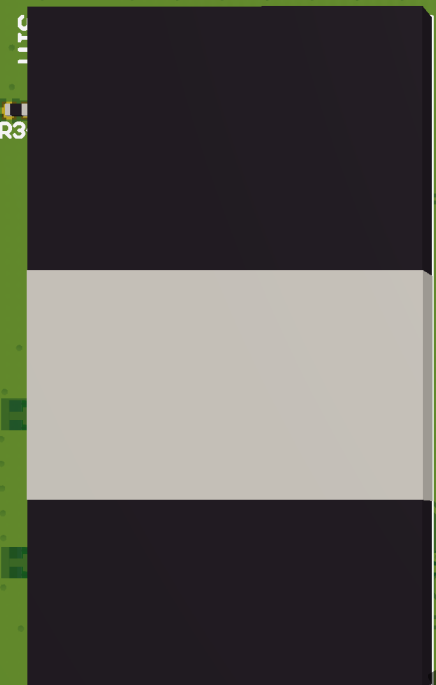
- PO_1
- PO_0
- UREFP
- GND
- P1_20
- P1_23
- P1_24
- P1_21
- P2_3
- P2_4

- P2_11
- P2_3
- P2_1
- P2_12
- P2_0
- P2_13
- P4_28
- P4_29

GPS:	
SDA	P0_27
SCL	P0_28
TXD	P0_10
RXD	P0_11
BAUD	9600
RST	P1_18
PPS	P1_19
INT	P1_22
EN	P1_29

MODEM:	
TXD	P0_15
RXD	P0_16
CTS	P0_17
DCD	P0_18
DSR	P0_19
DTR	P0_20
RTS	P0_21
RTS	P0_22
BAUD	115200
USBCON	P2_9
USBDP	P0_29
USBDN	P0_30
PARON	P2_6
EN	P2_5
GP101	P2_7
RST	P2_8

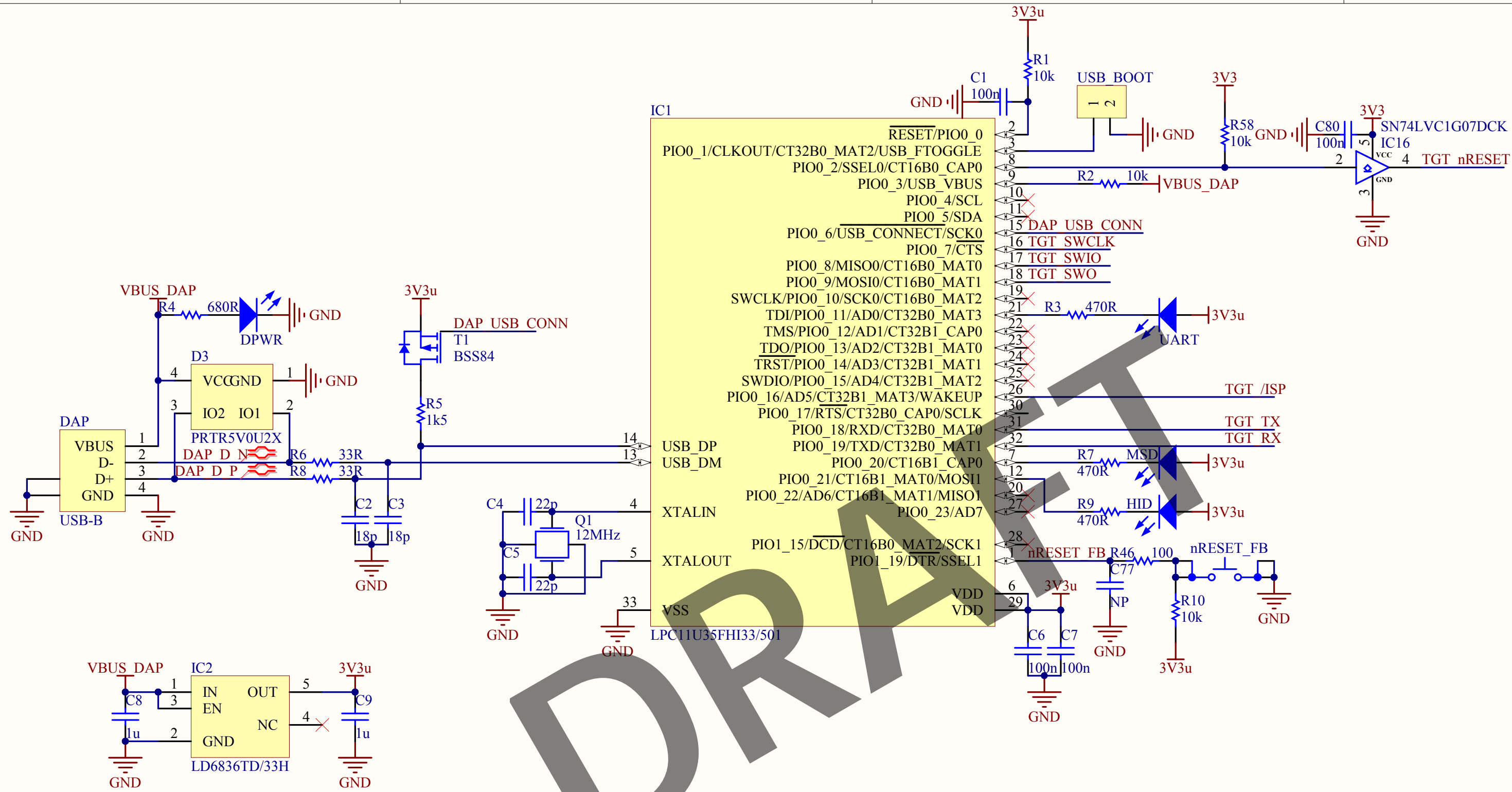
- P0_23
- P0_24
- P0_25
- P0_26
- P1_30
- P1_31



R31

R33

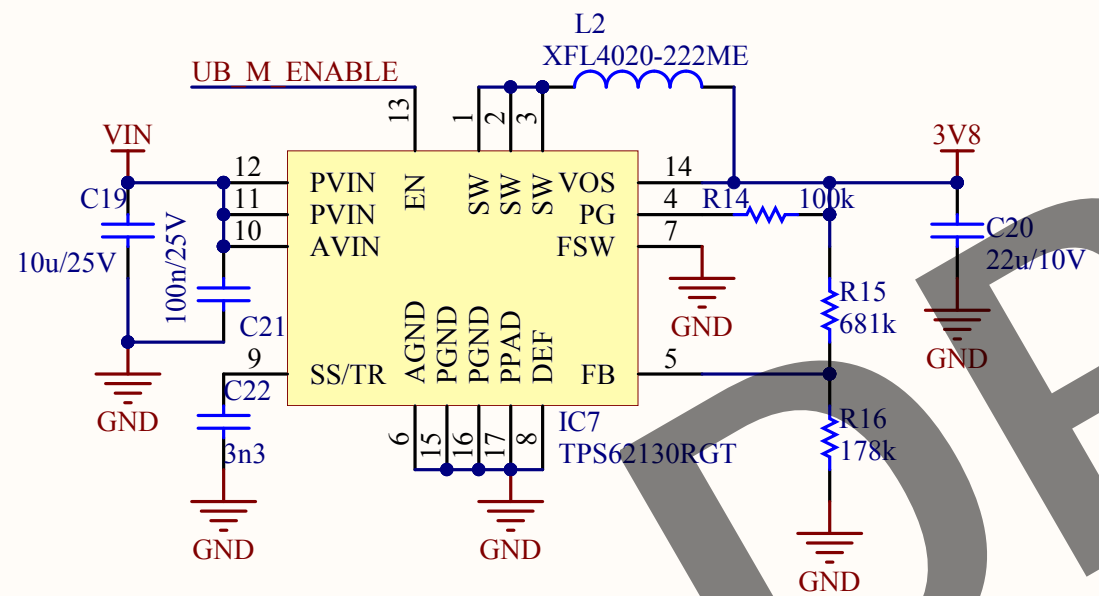
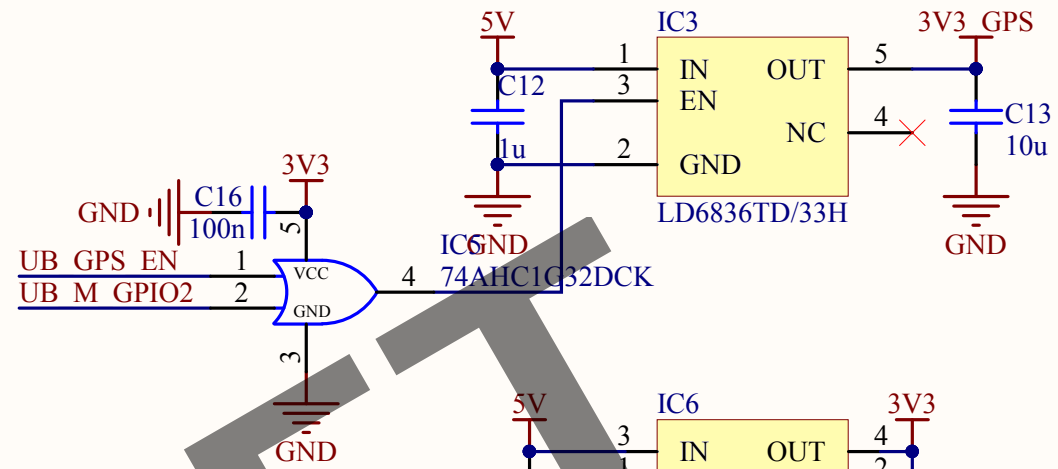
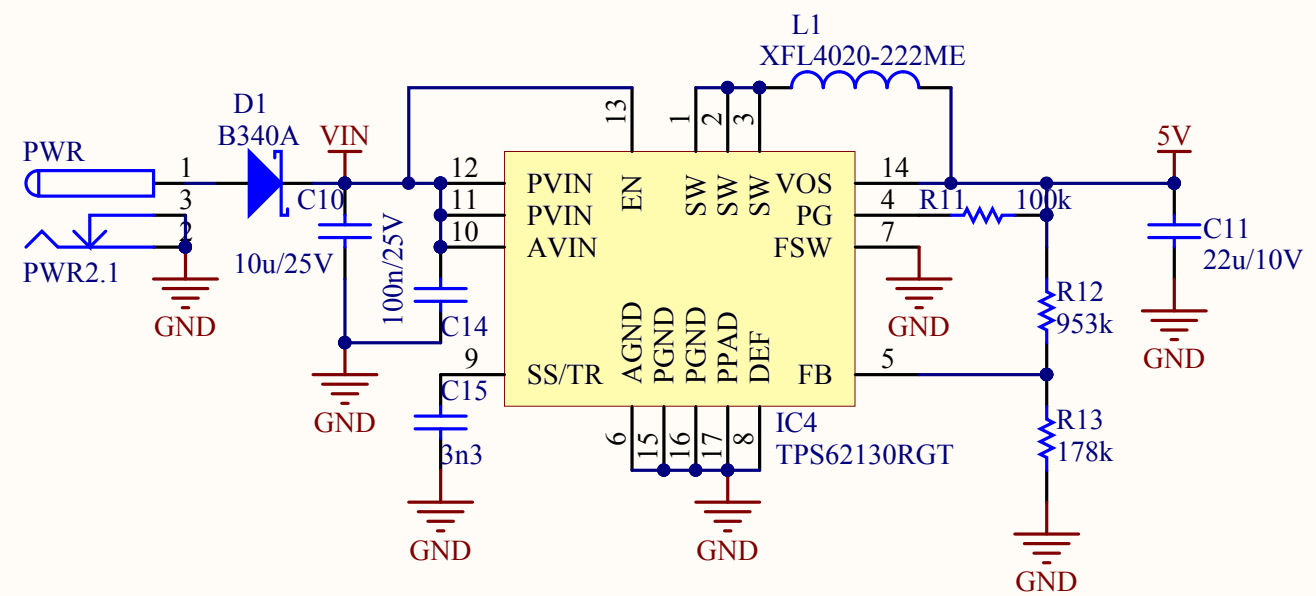
1



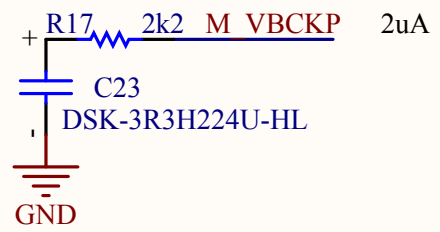
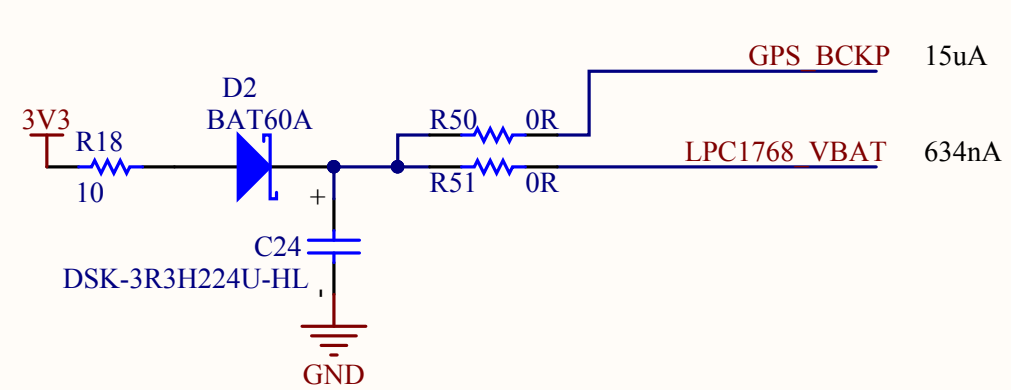
2G_MBD_CS_189000

mbed interface.SchDoc	Revision: 1.0
Size: A4	Sheet 1 of 5
Date: 29.9.2013	Web: www.ublox.com





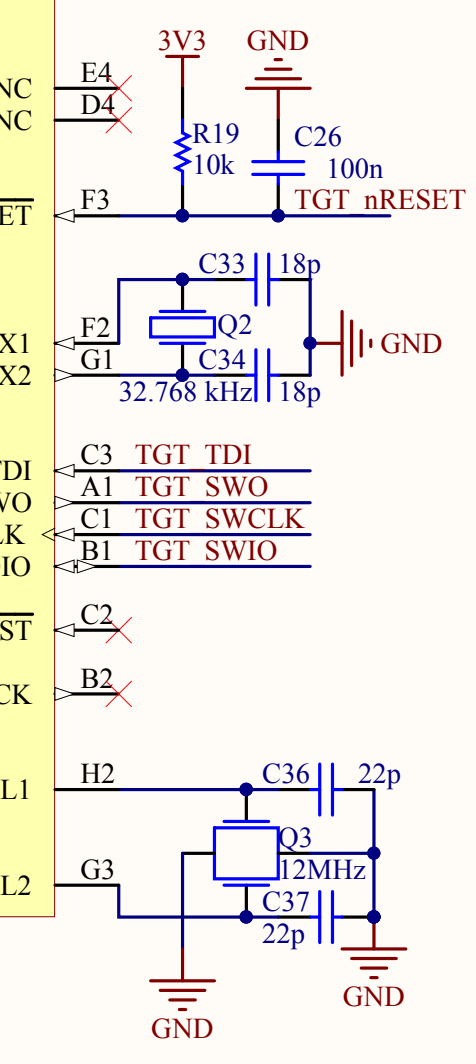
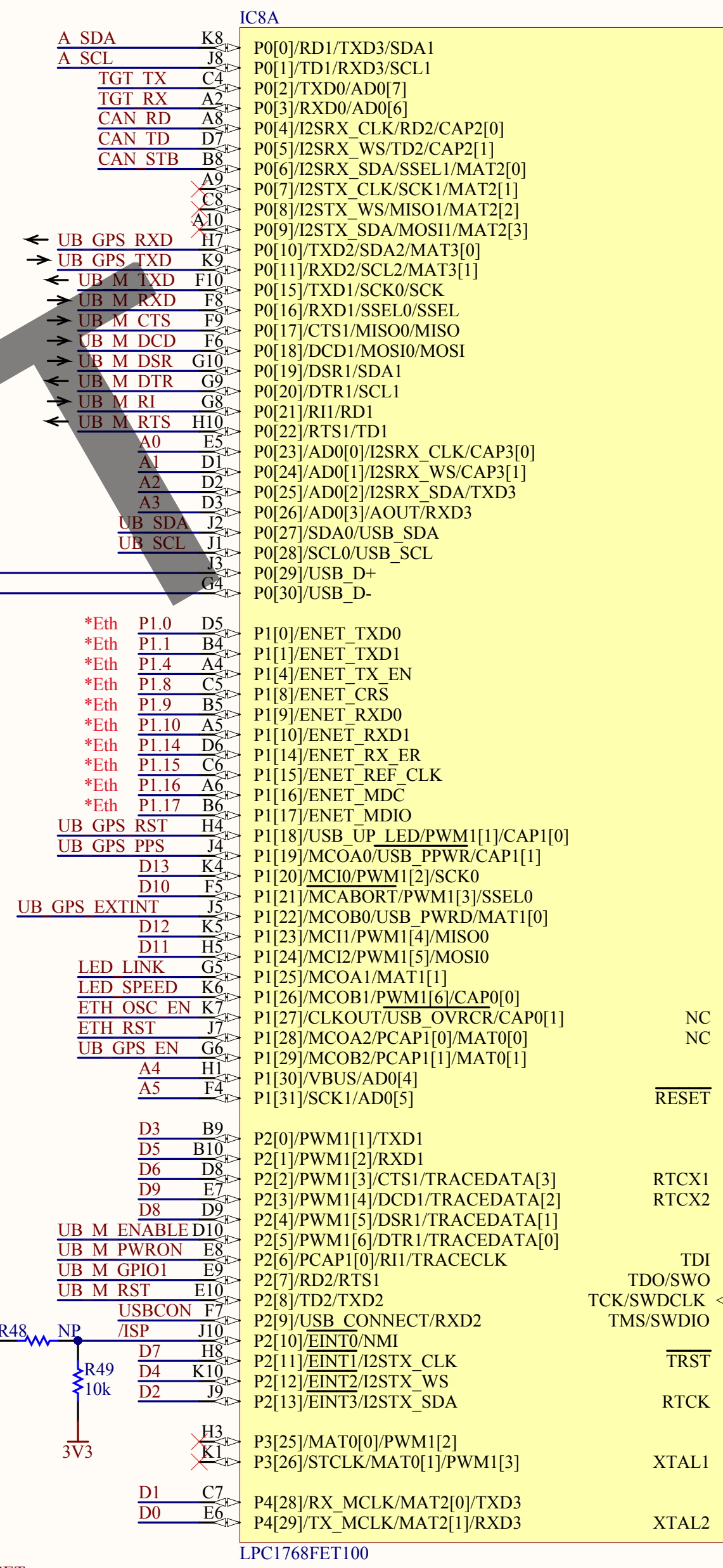
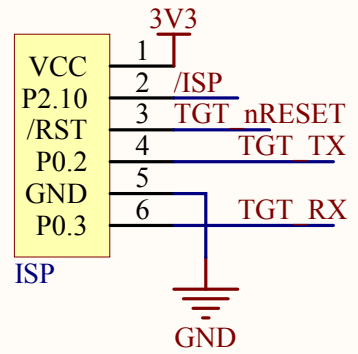
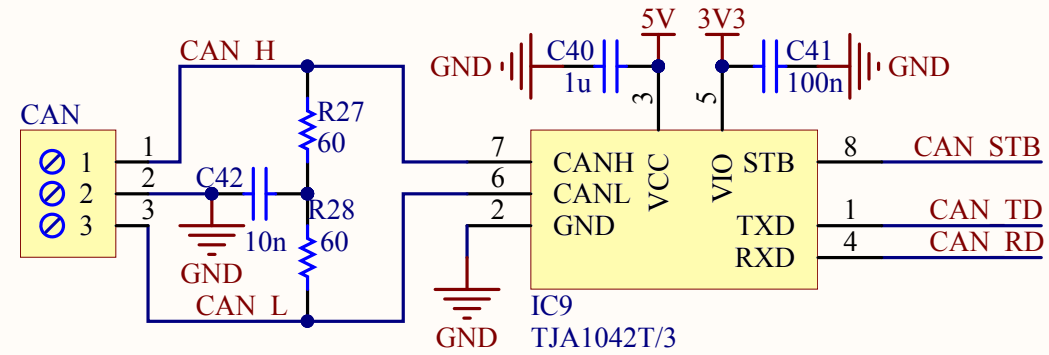
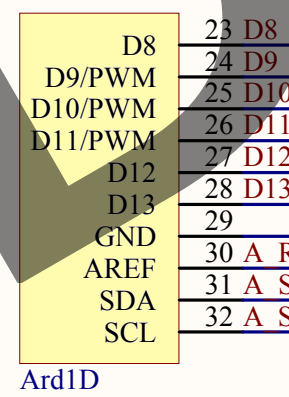
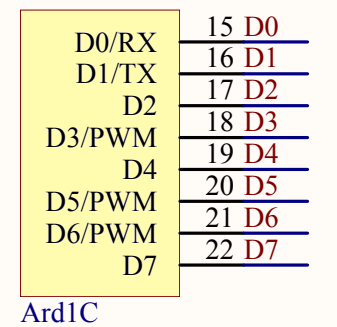
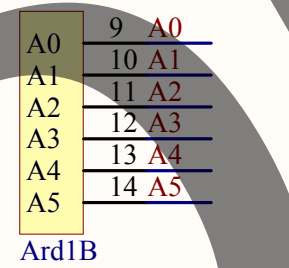
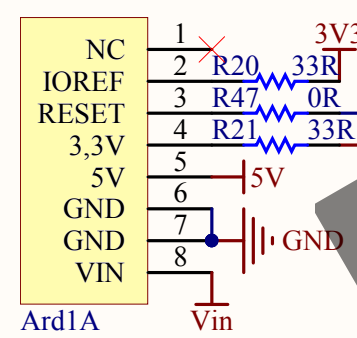
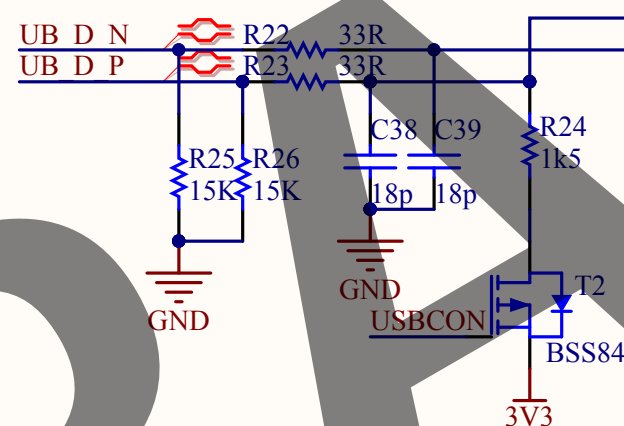
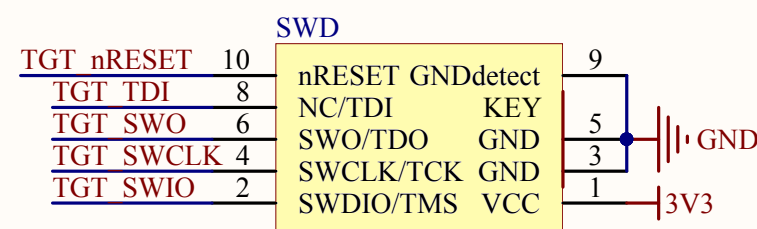
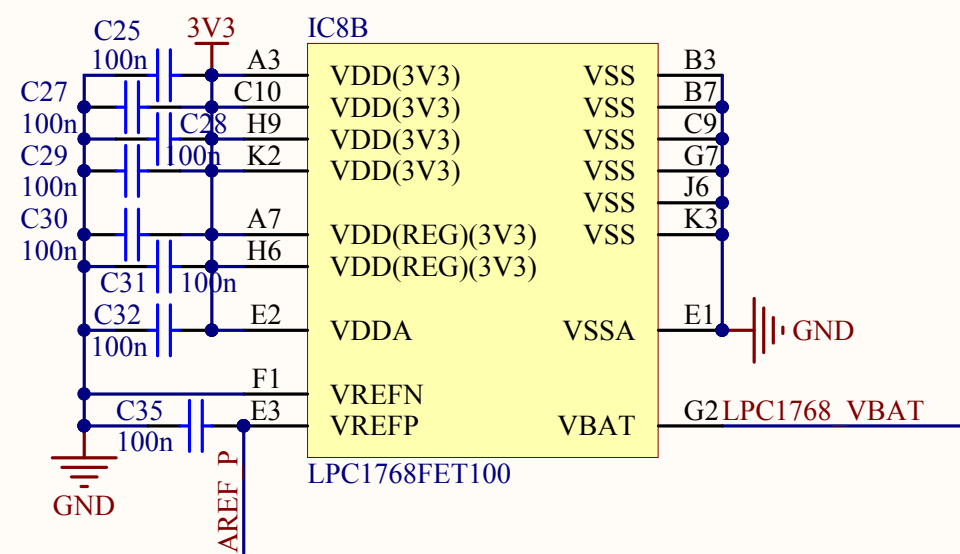
Power domain	Voltage	Estimated Maximum Current
Vin	7-17V	TBD
5V	5V	222mA
3V3	3,3V	200mA
3V3GPS	3,3V	22mA + 5mA Active ant.
3V8	3,8V	2500mA

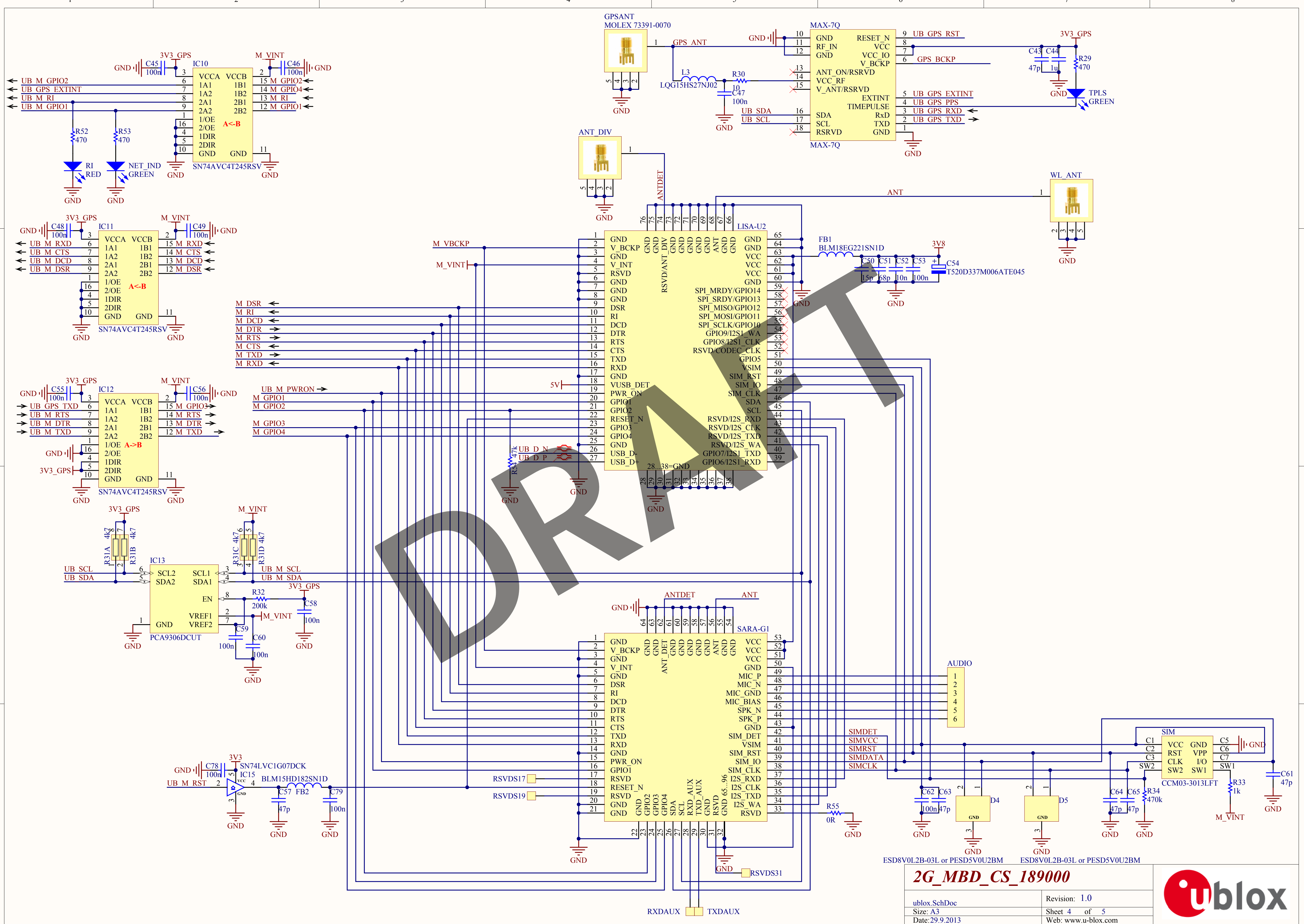


2G_MBD_CS_189000

Power.SchDoc	Revision: 1.0
Size: A4	Sheet 2 of 5
Date: 29.9.2013	Web: www.ublox.com





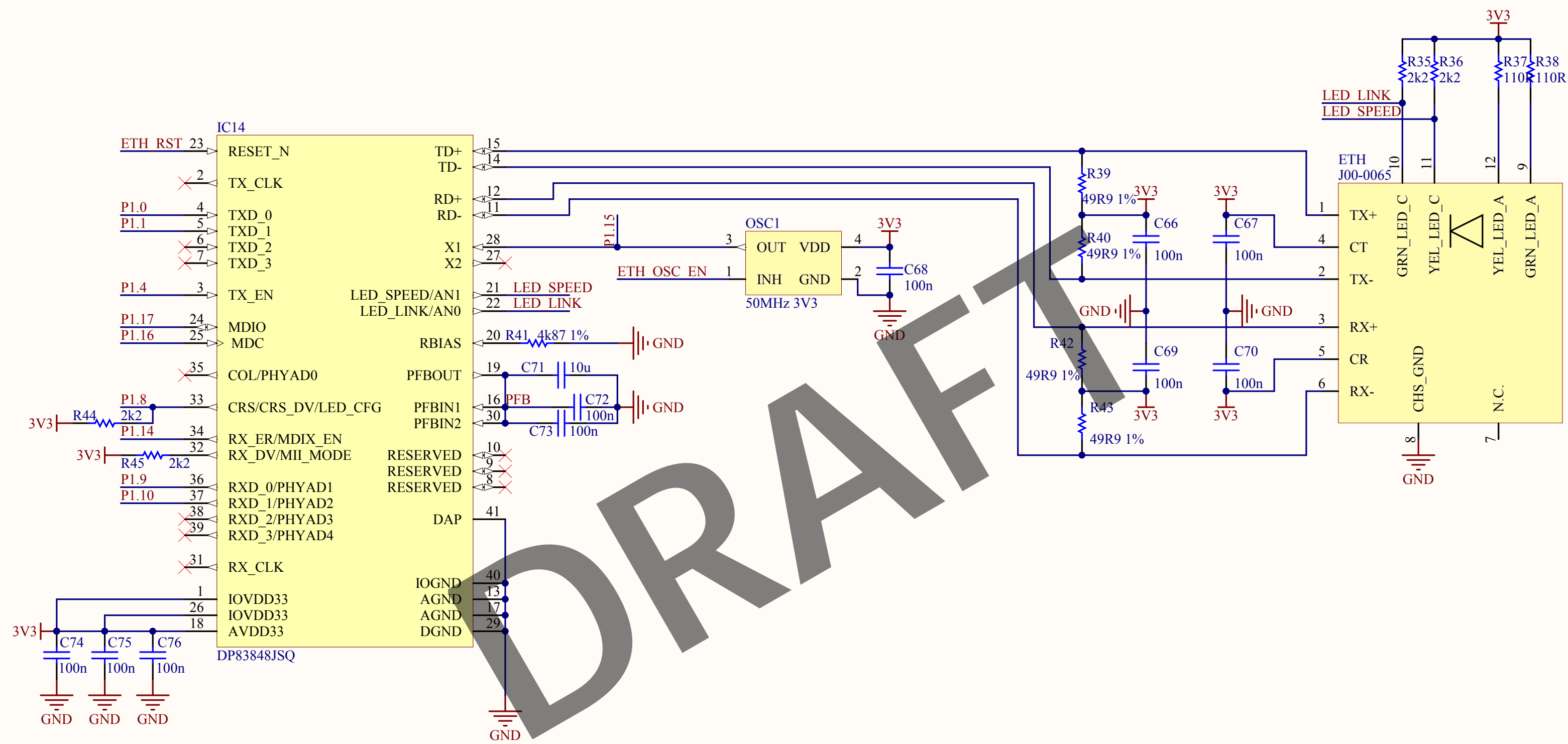


ESD8V0L2B-03L or PESD5V0U2BM ESD8V0L2B-03L or PESD5V0U2BM

2G_MBD_CS_189000

ublox_SchDoc	Revision: 1.0
Size: A3	Sheet 4 of 5
Date: 29.9.2013	Web: www.u-blox.com





DRAFT

2G_MBD_CS_189000

Ethernet.SchDoc	Revision: 1.0
Size: A4	Sheet 5 of 5
Date: 29.9.2013	Web: www.ublox.com

