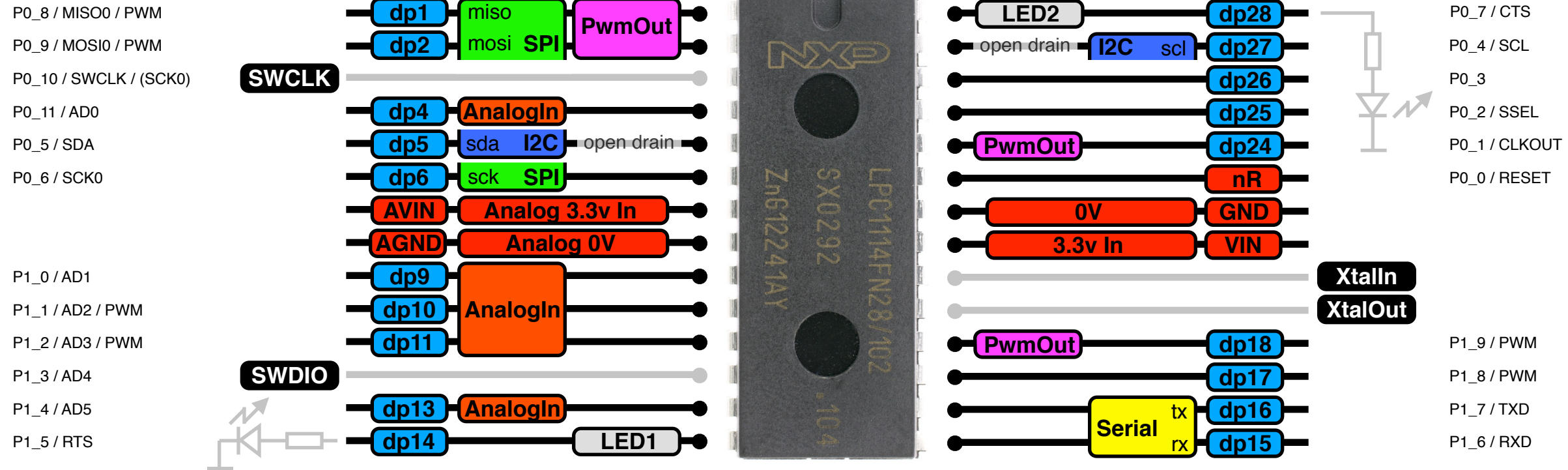
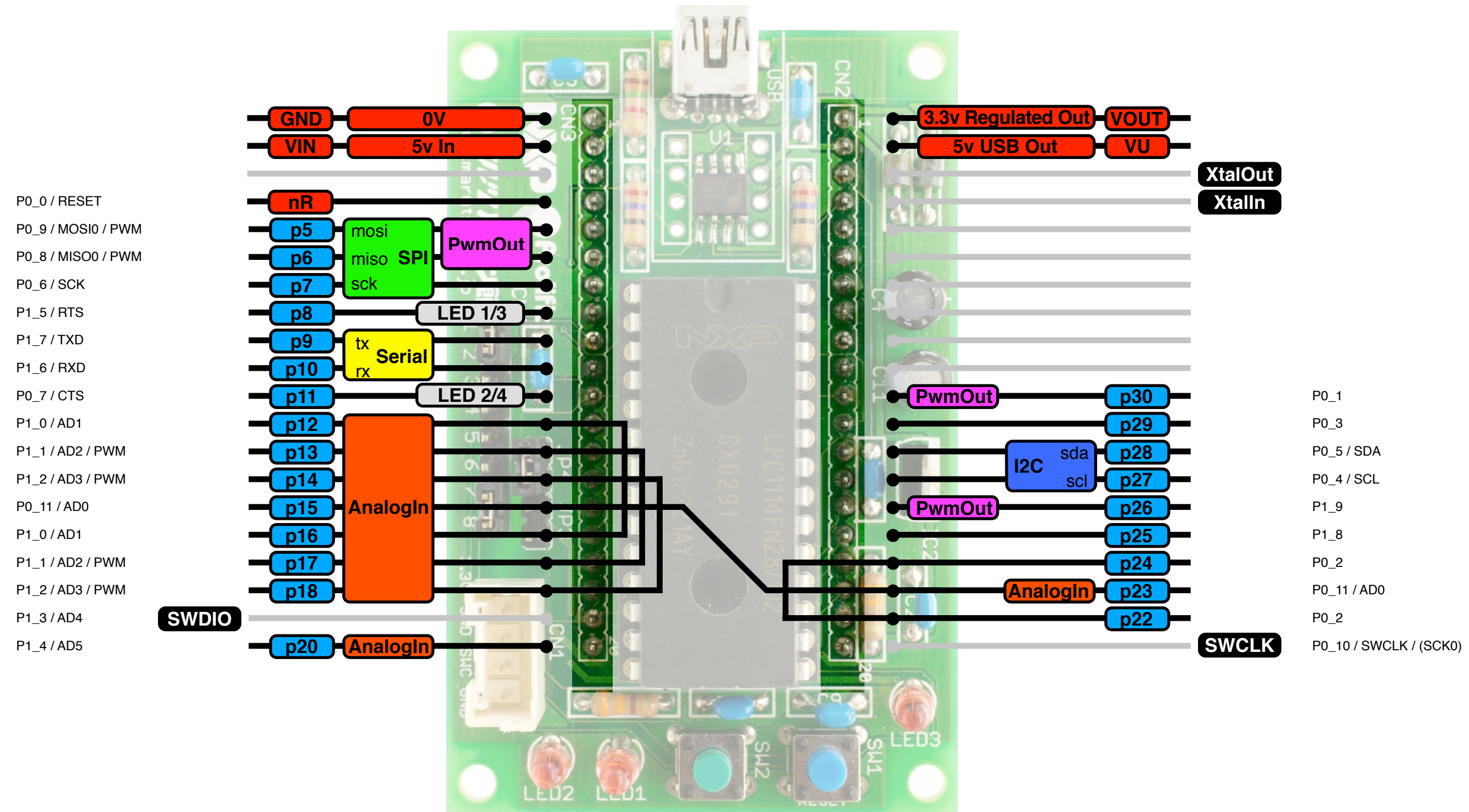


Pinout of DIP28



Pinout of CQ board



Pinout of Xpresso

