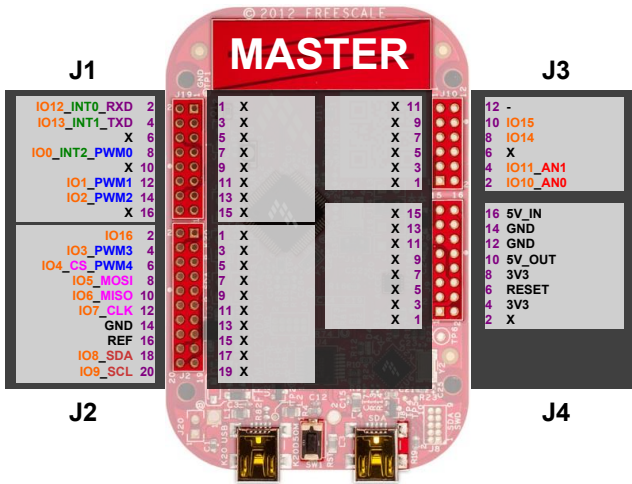
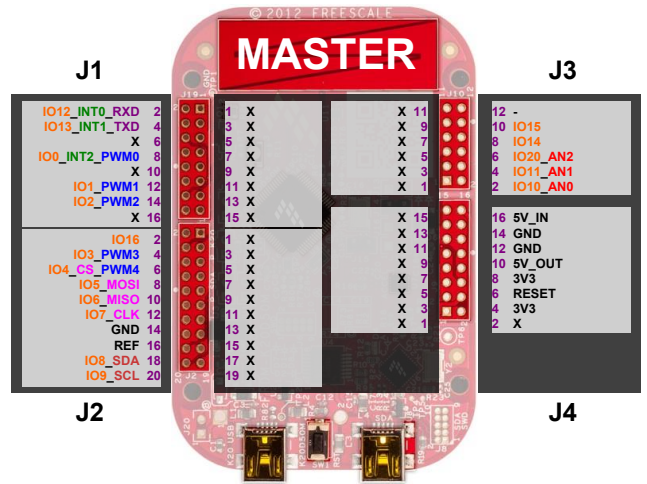


**TYPE A**



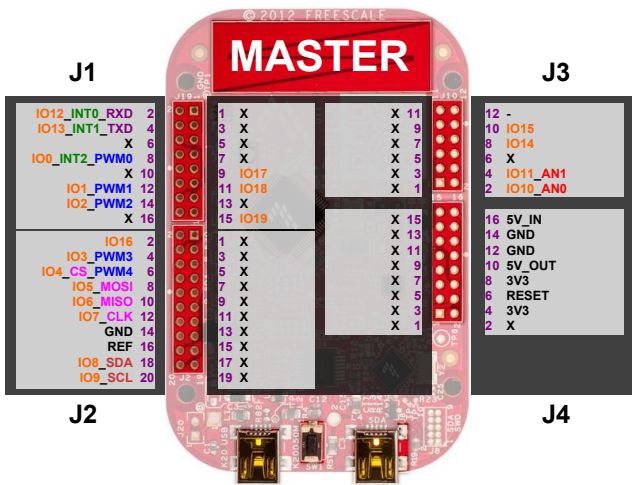
Works for all FRDM boards; also based on Arduino UNO and LEONARDO  
 NOTE: The KE04Z has the MOSI and MISO pins swapped and is therefore not compatible

**TYPE B**



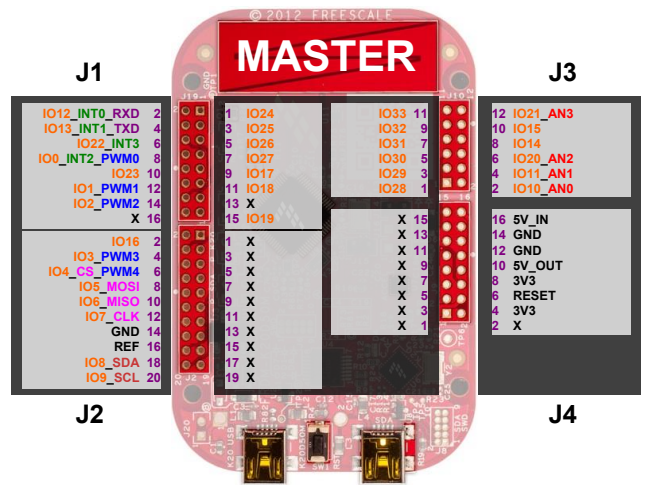
No KE04Z; also based on Arduino UNO and LEONARDO

**TYPE C**



KL02Z, KL03Z, KL05Z, Arduino do not connect to odd pins  
 NOTE: The KE04Z has the MOSI and MISO pins swapped and is therefore not compatible

**TYPE D**



No KE04Z; KL02Z, KL03Z, KL05Z, Arduino do not connect to odd pins