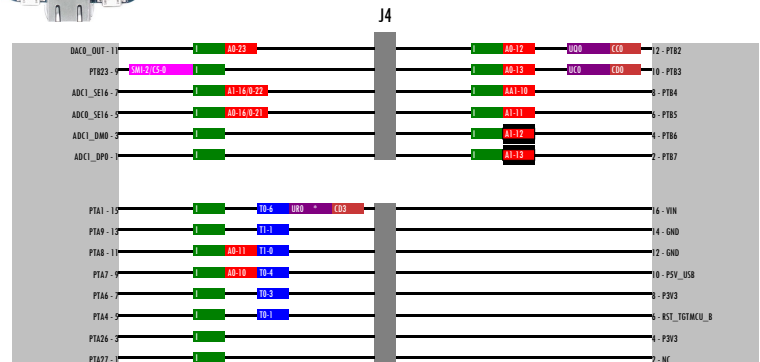
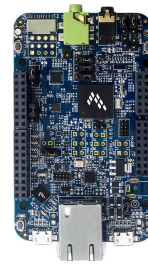
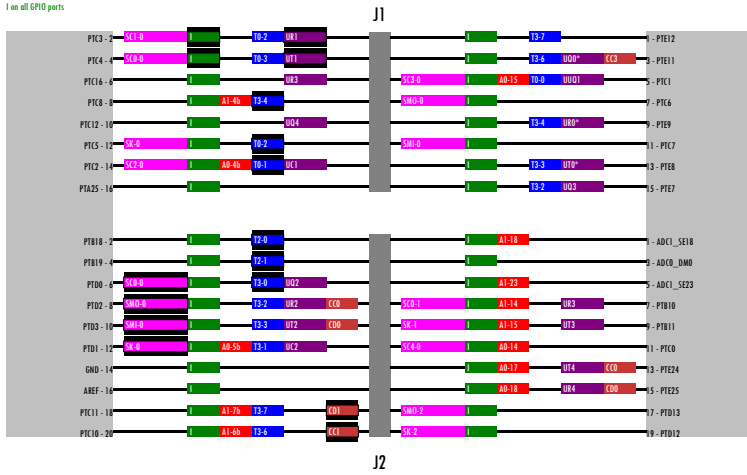


More functions available in the FRDM-TABLE_REV_x_x chart

FRDM-K66F

ATMU/AMQ on PC3, AD0/AMQ on J2, A19/ADP3 on J4

*LPUART
† on all GPIO pins



FRDM-K82F

† on all GPIO pins

