

MODELLING OF LORA TRANSCEIVER IN MATLAB USING SIMULINK

Chaithrashree P Mundkur¹, Mrs Yasha Jyothi M Shirur² and Mr Vishweshwara³

¹*Department. of ECE BNM Institute of Technology Technologies Pvt Ltd Bangalore, India*

²*Assistance. Professor, Dept. of ECE BNM Institute of Technology Technologies Pvt Ltd Bangalore, India*

³*Director Senssemi BNM Institute of Technology Technologies Pvt Ltd Bangalore, India*

Abstract—LoRaWAN is a Long Range Low Power Wide Area Network (LPWAN) proposed for remote battery worked Things in territorial, national or worldwide system. LoRaWAN target key necessities of web of things, for example, secure bi-directional communication, mobility and localization services. SigFox is another wireless standard which is a competitor to Lora in LPWAN space from many years [1]. So this paper will show different goals of Lora and SigFox and what the advantages of LoRa over other system are. Along with this paper also discuss about the design methodology and simulation results of LoRa transceiver using FSK modulation technique.

Keywords—LPWAN, SigFox, LoRa, Simulink .

I. INTRODUCTION

Progressions in innovation have made it less demanding to gather information in the home, in distribution centers and on production floors, and crosswise over urban communities. As this information is gathered and translated, receiver can now make important utilization of it. These steps are making what is known as the IoT, the Internet of Everything or as it used to be known, Machine to Machine (M2M) correspondence. To date, existing arrangements have been excessively constrained in network coverage, excessively power hungry, or both. In any case, this circumstance is changing quickly with the formation of low power remote sensor systems. The way to accomplishing a more drawn out lifetime for WSN is to plan remote sensor arranges that minimize power utilization of remote sensor gadgets, henceforth the name "low power"[2].

LoRa stands for Long Range Radio. It is the wireless technology mainly targetted for M2M and IoT networks. This technology will enable public or multi tenant networks to connect multiple applications running in the same network. This LoRa technology will fulfill to develop smart city with the help of LoRa sensors and automated applications[3]. The LoRa Alliance is partner degree open, non-benefit, International Alliance of firms and exchange partners that share the mission of endeavoring to institutionalize the arrangement of the LPWAN, that range unit continuously being conveyed round the world to adjust Internet of Things innovation and machine-to-machine correspondences, sensible urban communities, and modern applications [2].

II. COMPARISION WITH SIGFOX

A. TECHNOLOGY

SigFox is a narrowband (or ultra-narrowband) innovation. It utilizes a standard radio transmission strategy called binary phase shift keying (BPSK), and it takes exceptionally contract pieces of range and changes the period of the carrier radio wave to encode the information. This permits the reciever to just listen in a small cut of spectrum which mitigates the impact of noise. It has bidirectional usefulness, yet its ability going from the basestation back to the endpoint is obliged, and has less link budget going down than going up.

LoRa is a spread-spectrum innovation with a more extensive band (typically 125 kHz or more). Its frequency modulated chirp uses coding gain up for expanded receiver sensitivity. LoRaWAN looks at a more extensive measure of range than SigFox. However, since it's concern for

a very specific type of communication, the noise due to a larger receiver bandwidth is moderated by the coding gains. Practical link budgets are about the same for SigFox and LoRaWAN.

B. BUSINESS MODEL

SigFox plan of action brings a top-down methodology. The organization claims the majority of its innovation from the backend information and cloud server to the endpoints programming. In any case, the differentiator is that SigFox is basically an open business sector for the endpoints. SigFox's definitive objective is to get substantial system administrators from all over to world to send its systems. SigFox is in the assessment that it's less demanding to work with portable system administrators or convey systems itself and charge a little repeating expense than to offer costly equipment at the endpoint. However, there are some difficulties connected with this business mode.

The LoRa Alliance has an alternate strategy. They are open than SigFox, entirely in light of the fact that because the specification that governs how the network is managed is relatively open. We can download the particulars and join the LoRa Alliance, and any equipment or gateway maker can construct a module. Much the same as SigFox, the LoRa Alliance network operators to deploy the LoRa network yet they additionally need privately owned businesses and new companies to do as such [4].

C. APPLICATIONS

LoRa is likely the better choice when we require genuine bidirectionality, due to the symmetric connection. So in the event that if we need command and control usefulness for, say, electric network observing, LoRa is your best alternative.

With SigFox, we could utilize bidirectional command and-control usefulness, however to work properly, network density should be higher. Along these lines, it is better for applications that send just little and occasional bursts of information [6].

III. CONSTRUCTION OF TRANSCEIVER

The LoRa Transceiver model was built on Matlab Simulink using fundamental components in Simulink to demonstrate how reliable complex modulation schemes can be built, cost effective and efficiently. The model of LoRa transmitter using FSK modulation is shown in Figure 2. Transmitter consists of 2 FSK modulation blocks, one for required signal and other for intermediate signal. Both signals are amplified using low noise amplifier and then splitted into inphase and quadrature phase components. Then comes the analog to digital converter which converts to digital output. The digital receiver applies a matched filter to the received waveform, also an AGC function and demodulates the waveform for symbol error rate calculation.

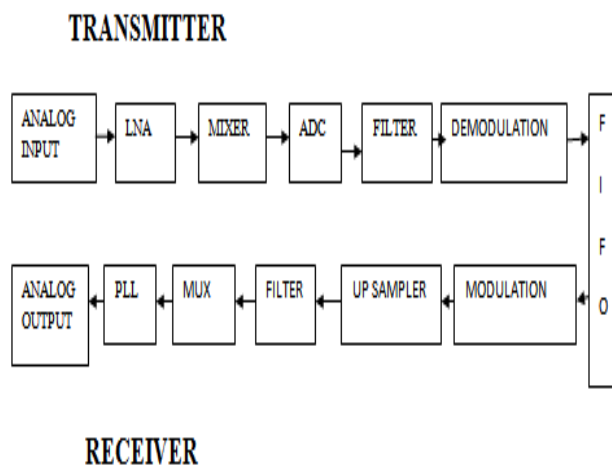
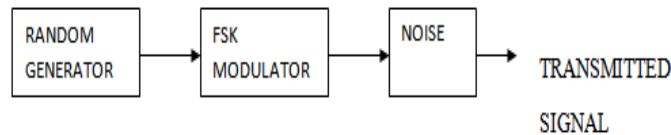


Figure 1 Model of transceiver

TRANSMITTER



RECEIVER

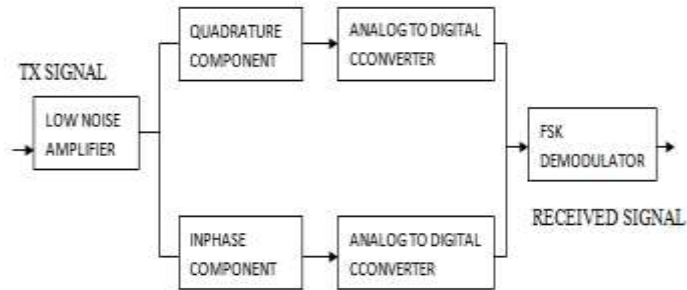


Figure2: Block diagram of LoRa transmitter and receiver[5].

Parameters that are required for modeling of the transmitter and receiver are tabulated in Table 1. Using these parameters (as per the LoRa datasheet), Simulink model can be obtained and the results obtained are mentioned below.

Table 1 Parameters used in modeling

DEFINITION	VALUE
Data Frame	64 symbols
Samples per symbol	8
Roll of factor	0.2 db/decade
Up sampling	8
LNA power gain	18 db
LNA noise figure	3 db
LNA Impedance	50 ohm
Phase shift	90 degree Celsius
Down sampling	8
Receive delay	72

IV. RESULTS

Simulation results of LoRa transceiver system as shown in Figure 2, the following results have been obtained. Modifications to the signal power levels and component specifications in the receiver and ADC have a direct impact on the receiver performance. Figure 3 shows that transmitted signal and received signal are almost same only with slight degradation of received signal due to noise added in the block. The transmitted signal and received signal are obtained at centre frequency of 0Hz. Simulation of a design obtains an 0.7% Signal Error Rate.

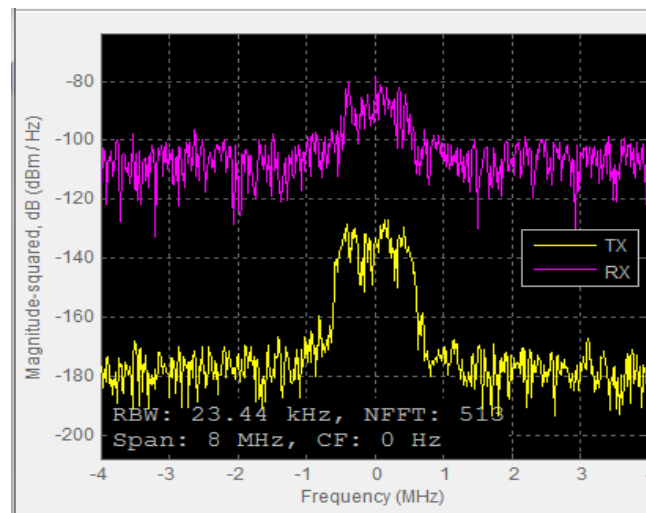


Figure 3 Transmitted and Received signal

V. CONCLUSION AND FUTURE SCOPE

Wireless communication has become an integral part of our culture today. We have many wireless standards every year which is suitable for different applications. In this paper we compare two of the new emerging Low Power Wide Area Networks (LPWANs) for Internet of Things connectivity. And also modeling of transceiver for LoRa wireless standard.

In future SER can be reduced to much more lesser value and also this modeling can be used for hardware specification changes.

VI. ACKNOWLEDGMENT

The satisfaction and delight of completing any work would be incomplete without thanking the people who spent their valuable time in helping our work be success

Thus, we take this opportunity to express our heart full thanks to Sensesemi Technologies Pvt Ltd, Bangalore and Dept of E & C, BNM Institute of Technology, Bangalore who gave us opportunity to carry out this project and constantly supported and encouraged at every phase of this project.

REFERENCES

- [1] <https://www.lora-alliance.org/What-Is-LoRa/Technology>
- [2] <http://info.link-labs.com/lpwan/>
- [3] <http://www.rfwireless-world.com/Terminology/LoRa-technology-basics.html>
- [4] <http://www.link-labs.com/sigfox-vs-lora/>
- [5] <http://in.mathworks.com/help/simrf/examples/executable-specification-of-a-direct-conversion-receiver.html>
- [6] Marco Centenaro, and Andrea Zanella, "Long-Range Communications in Unlicensed Bands:the Rising Stars in the IoT and Smart City Scenarios" October 2015.