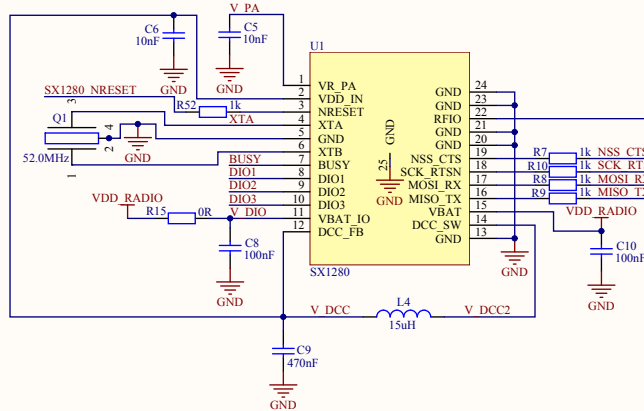
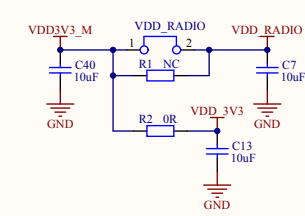
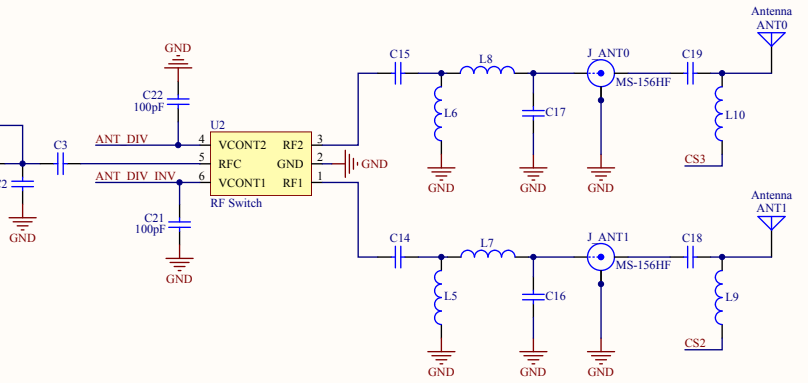


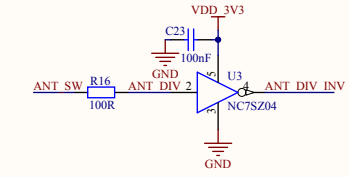
### SX1280 Reference Design :



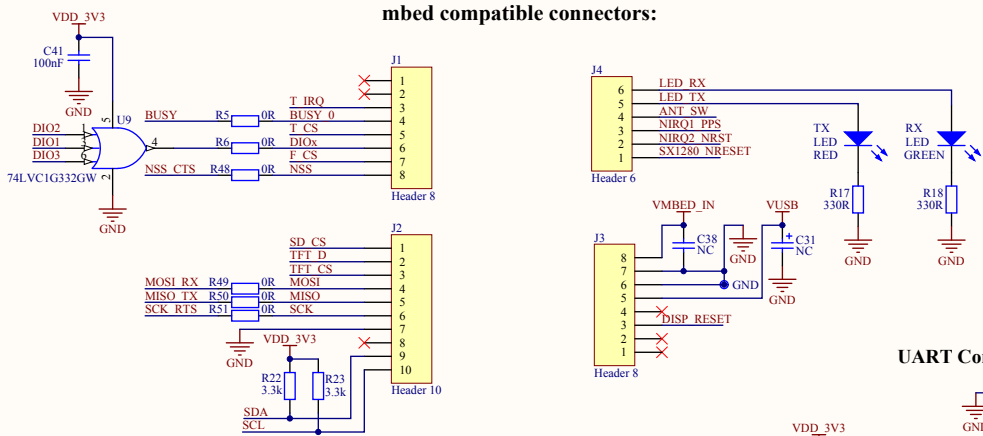
### RF Output Options:



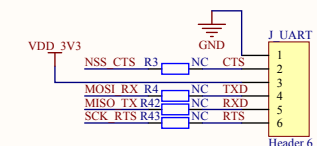
### Inverter for antenna switching:



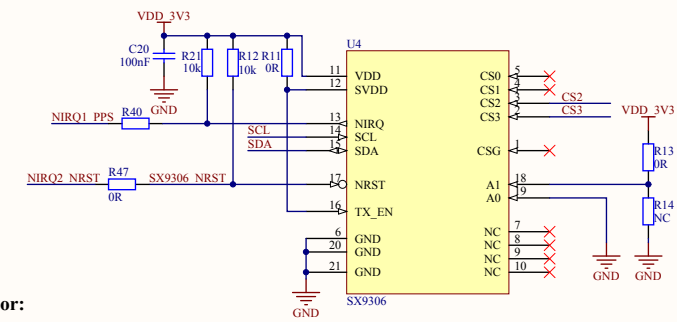
### mbed compatible connectors:



### UART Connector:

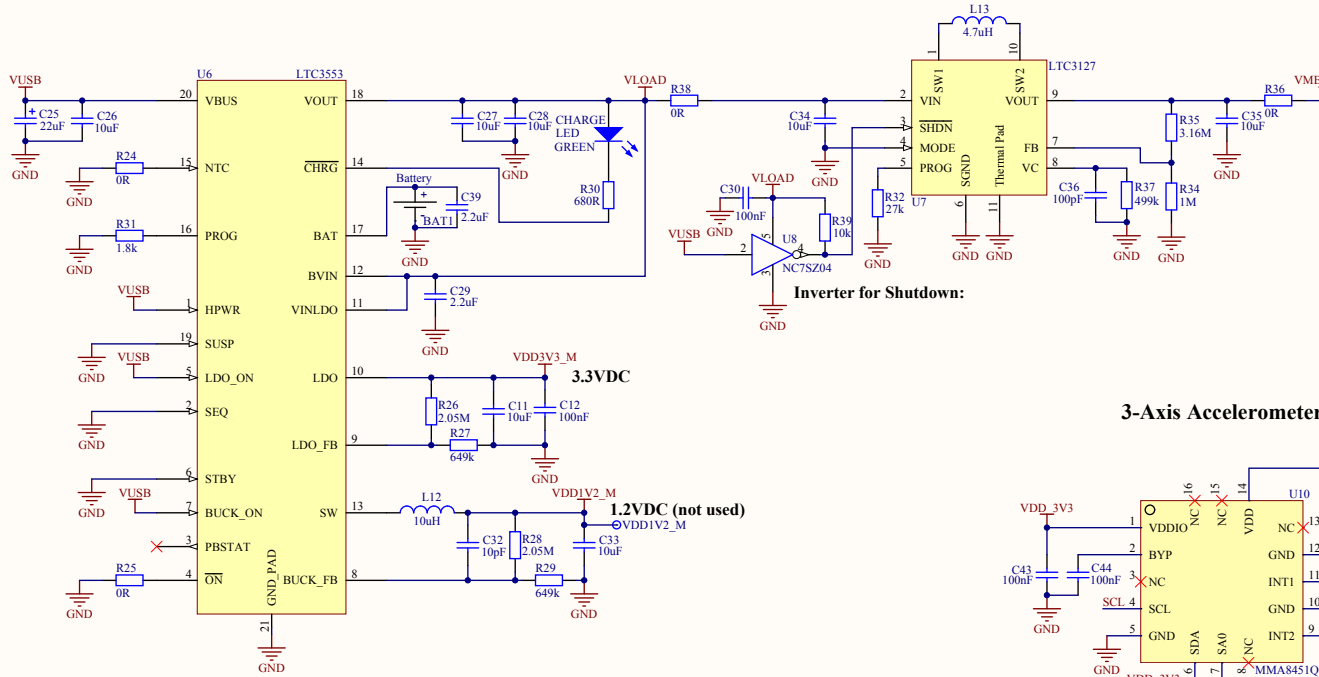


### SX9306 Proximity Sensor for Antennas:

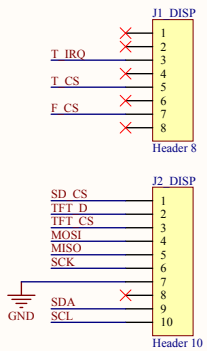


Title <b>SX1280 Evaluation Board</b>		
Size A3	Number <b>PCB_E394V02A - SEMTECH</b>	Revision <b>V1a</b>
Date: 06.02.2017	Sheet of 1/1	
File: \\.\SX1280_e394v02a.SchDoc	Drawn By:EMr	

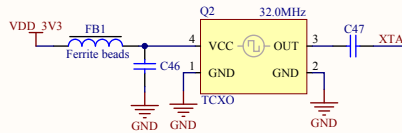
## Power management for SX1280 Evaluation board and display:



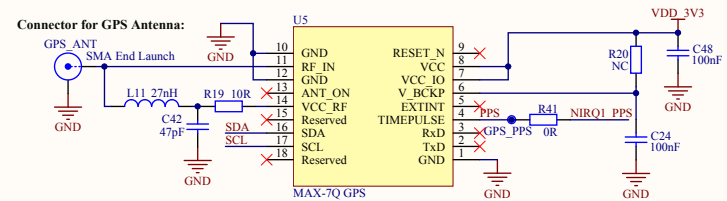
### Display for mbed DM-TFT28-105 display connectors:



### Optional TCXO footprint for SX1280:



### MAX-7Q U-Blox GPS (Optional):



Title <b>SX1280 Evaluation Board - Power Supply</b>		
Size A3	Number <b>PCB_E394V02A - SEMTECH</b>	Revision <b>V1a</b>
Date: 06.02.2017	Sheet of 1/1	
File: \\.\SX1280 Power Display_e394v02a.SchDoc	Drawn By:EMr	